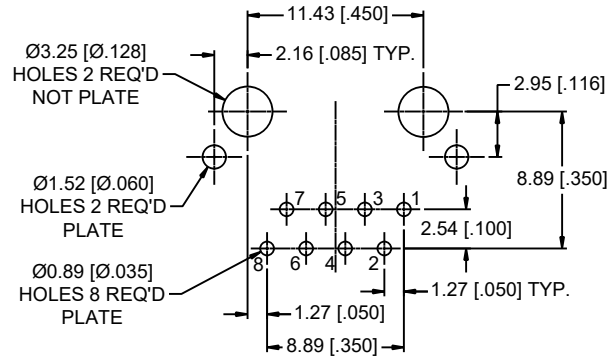
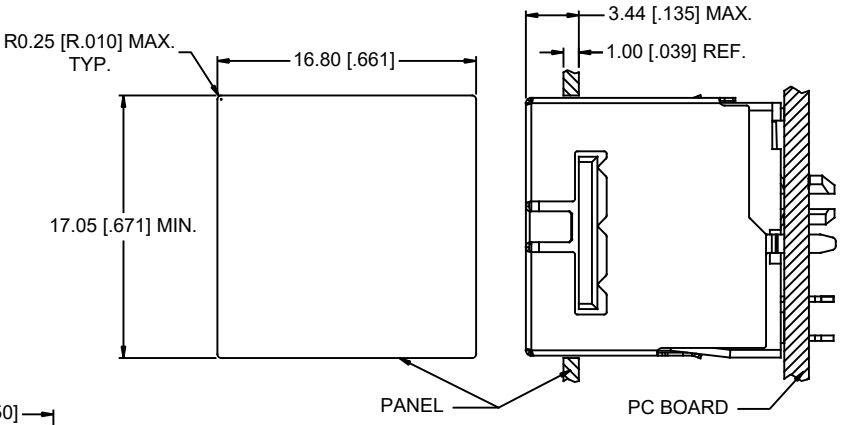
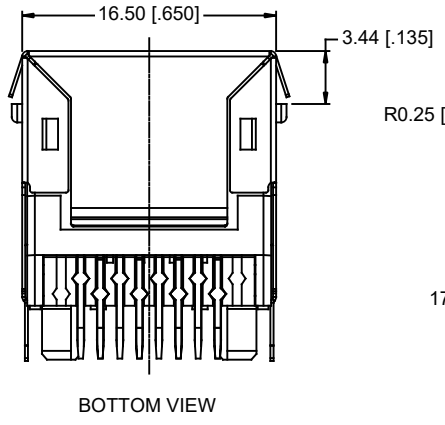
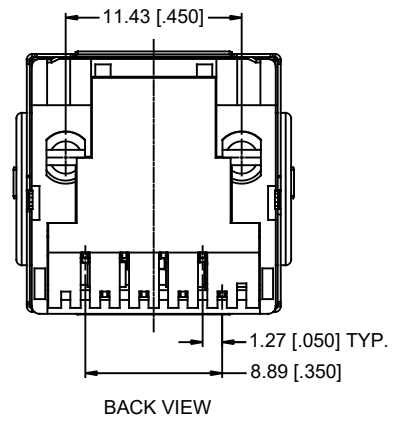
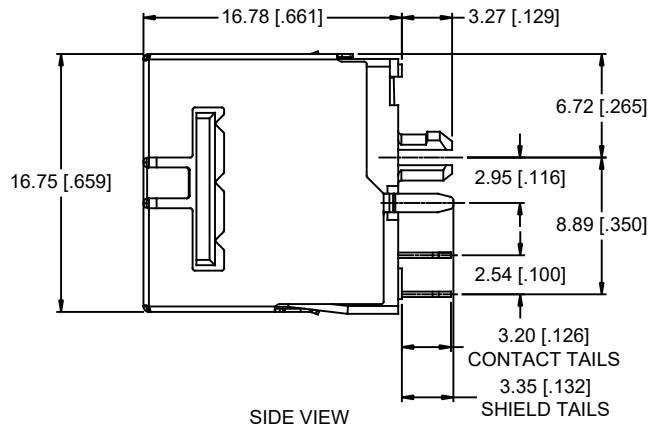
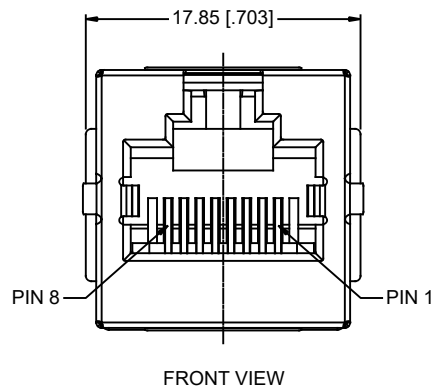


REVISIONS			
REV	DESCRIPTION, ECN, EAR NO.	DATE	APP'D
A	NEW PROPOSAL	DEC07/22	KELVIN



RECOMMENDED P.C.B LAYOUT
 (TOLERANCE: ±0.05[±.002])
 (PCB THICKNESS: 1.60 [.063])
 (COMPONENT SIDE OF PC BOARD)

NOTES:

- MATERIALS:**
 CONTACTS: PHOSPHOR BRONZE, 0.35MM THICKNESS, PLATING: SELECTIVE GOLD PLATING ON MATING SURFACE SEE PART NO. FOR THICKNESS, 50µ" [1.27 MICRONS] MIN. NICKEL OVERALL. 100µ" [2.54 MICRONS] MIN. MATTE TIN ON SOLDER TAILS.
 HOUSING: ENGINEERING THERMOPLASTIC, FLAMMABILITY RATING UL 94V-0, COLOR - BLACK.
 SHIELD: COPPER ALLOY OR STEEL ALLOY WITH NICKEL PLATING
- MECHANICAL:**
 MATING FORCE: 5.0 LBS MAXIMUM
- ELECTRICAL:**
 CONTACT RESISTANCE: 50 MILLIOHMS MAXIMUM
 INSULATION RESISTANCE: 500 MEGOHMS MINIMUM
 CURRENT RATING: 1.5 AMPS
 VOLTAGE RATING: 125 VOLTS AC
- ENVIRONMENTAL:**
 STORAGE TEMPERATURE: -40°C TO +85°C
- RECOMMENDED SOLDERING TEMPERATURE:**
 WAVE SOLDERING PEAKED AT 235°C FOR 5 SECONDS.

AMPHENOL PART NUMBER: RJE74-188-7X20

- GOLD PLATING OPTIONS:
 1 = 6µ" GOLD PLATING
 2 = 15µ" GOLD PLATING
 3 = 30µ" GOLD PLATING
 4 = 50µ" GOLD PLATING



UNLESS SPECIFIED OTHERWISE	DRAWN RONNIE.C	DEC07/22
PRIMARY UNITS MILLIMETERS	CHECKED KELVIN.T	DEC07/22
SECONDARY INCHES	M.E. APP'D	
REFERENCE IN PARENTHESES	Q.A. APP'D	
GENERAL TOLERANCES	DWG APP'D	
1 DECIMAL PLACE ±0.20	ENG. REL. NO.	
2 DECIMAL PLACES ±0.15	REF.	
3 DECIMAL PLACES ±0.10	THIRD ANGLE PROJECTION	DO NOT SCALE DRAWING
ANGULAR DEGREES ±2.0°		

Amphenol Canada Corp. Commercial Products	
SINGLE PORT, VERTICAL MODULAR JACK, 8 POSITION, 8 CONTACTS, WITH PANEL STOP SHIELDED WITH EMI TAB-RoHS COMPLIANT	
DWG NO.	REV A
P-RJE74-188-7X20	
CODE ID NO. 03554	SHEET 1 OF 1