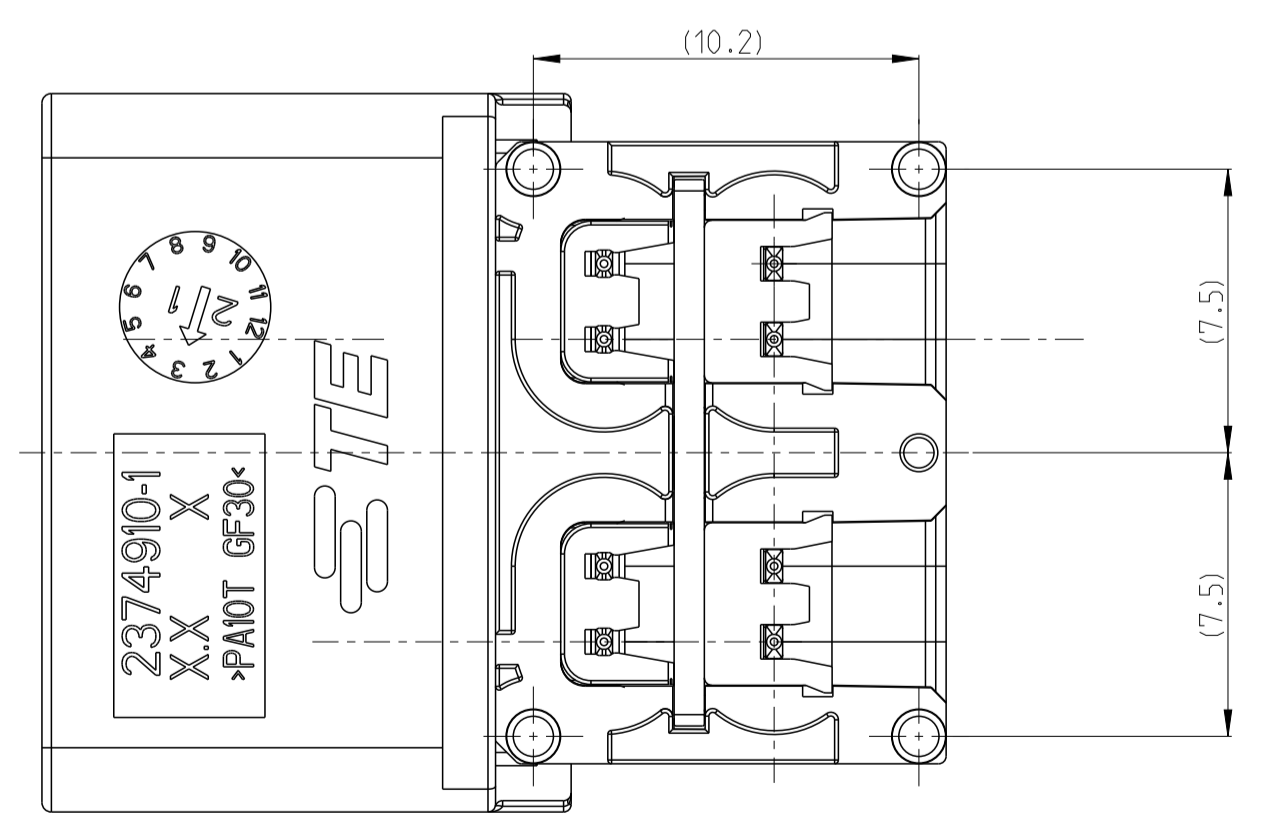
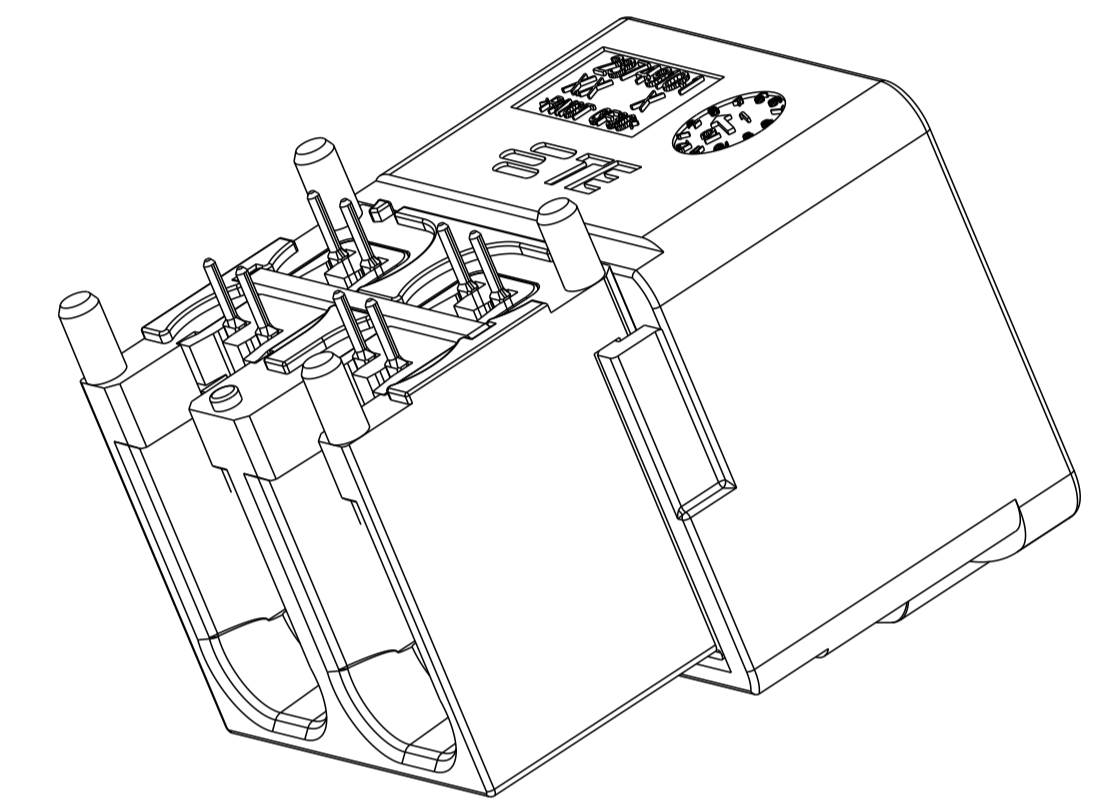
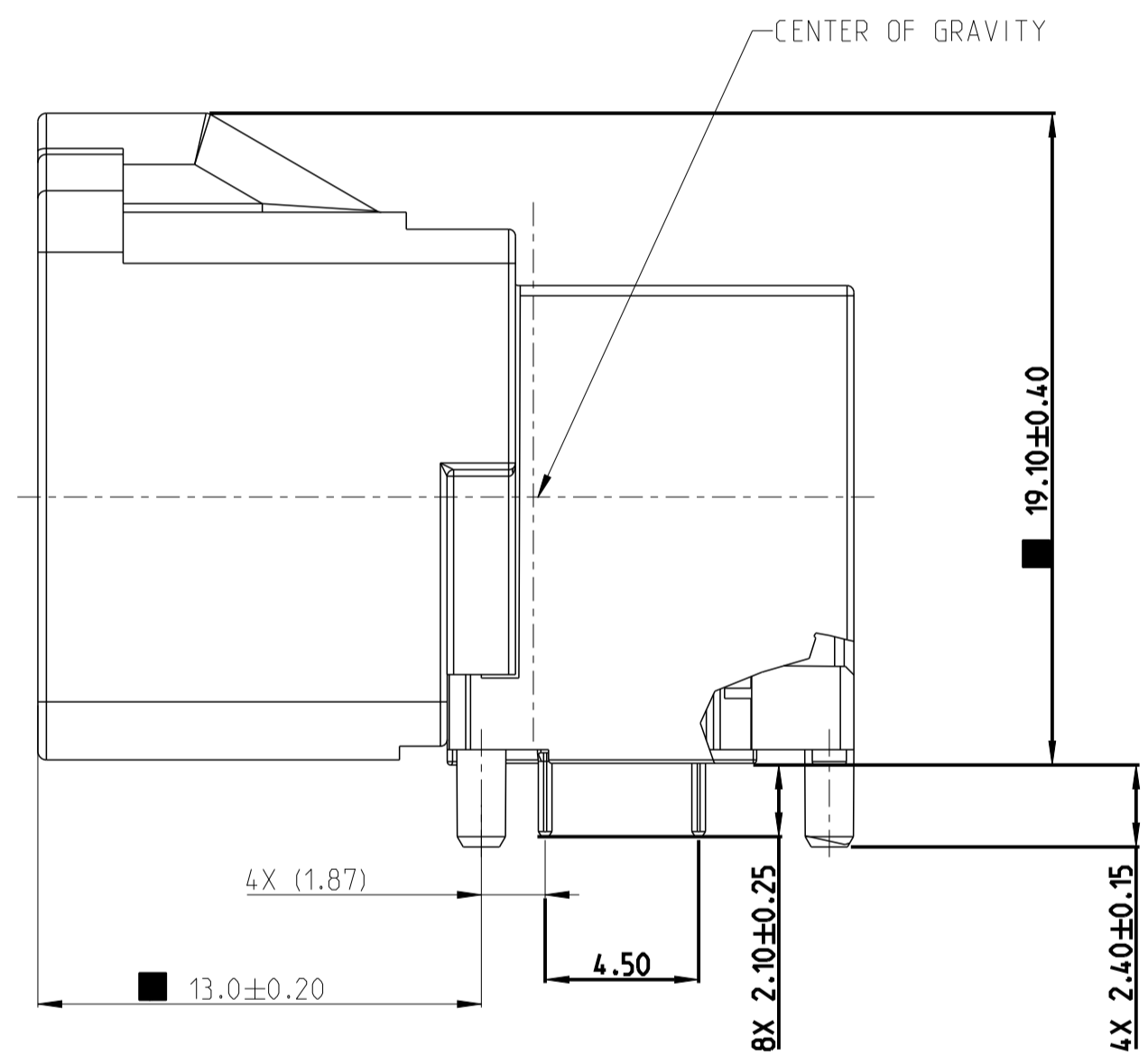
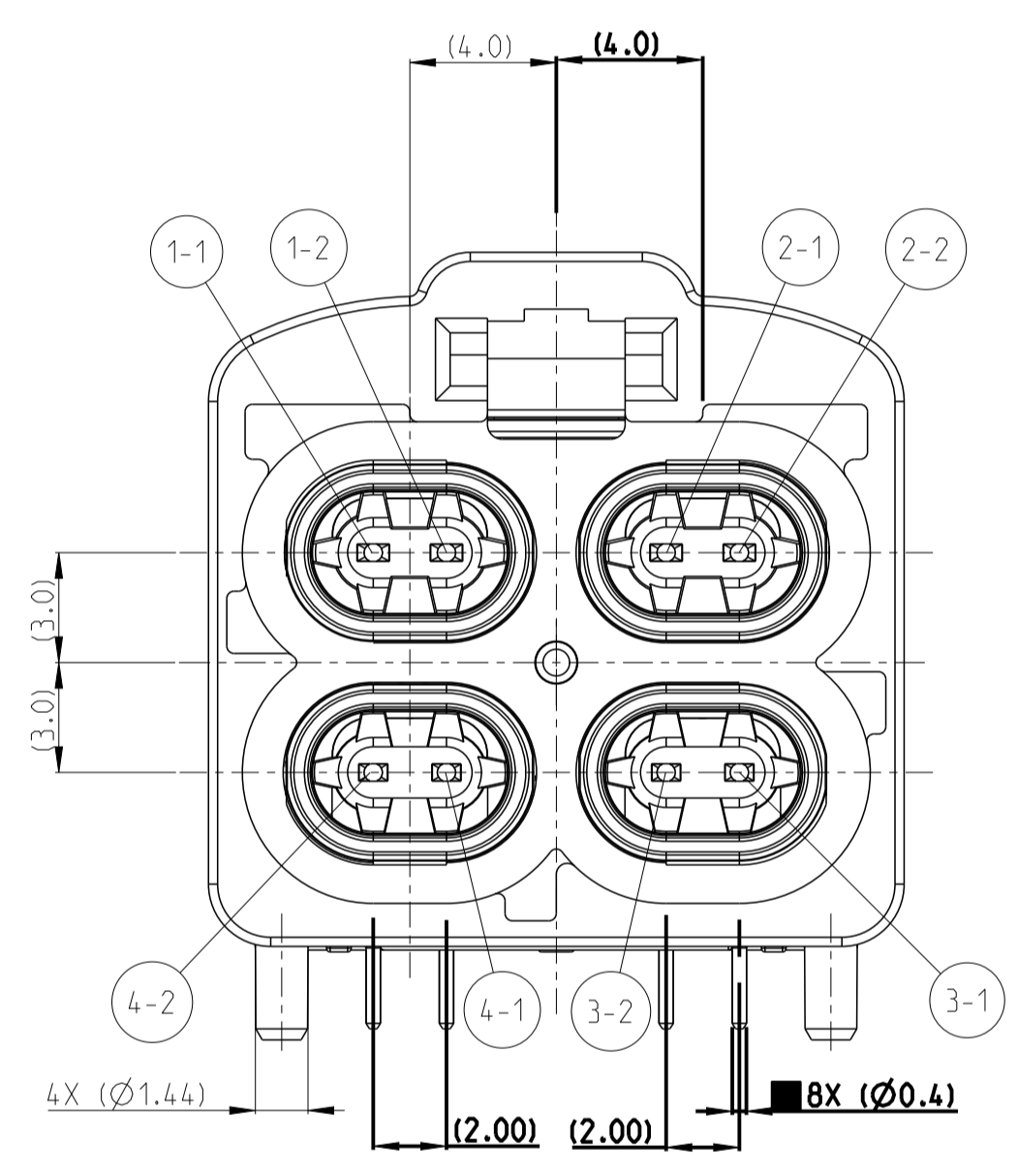
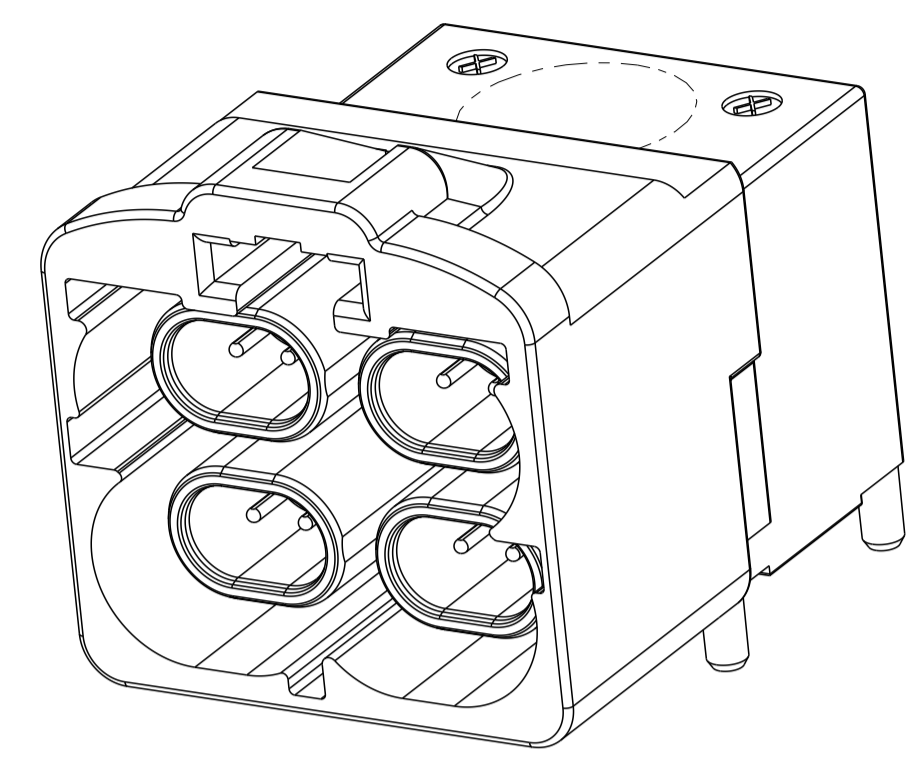
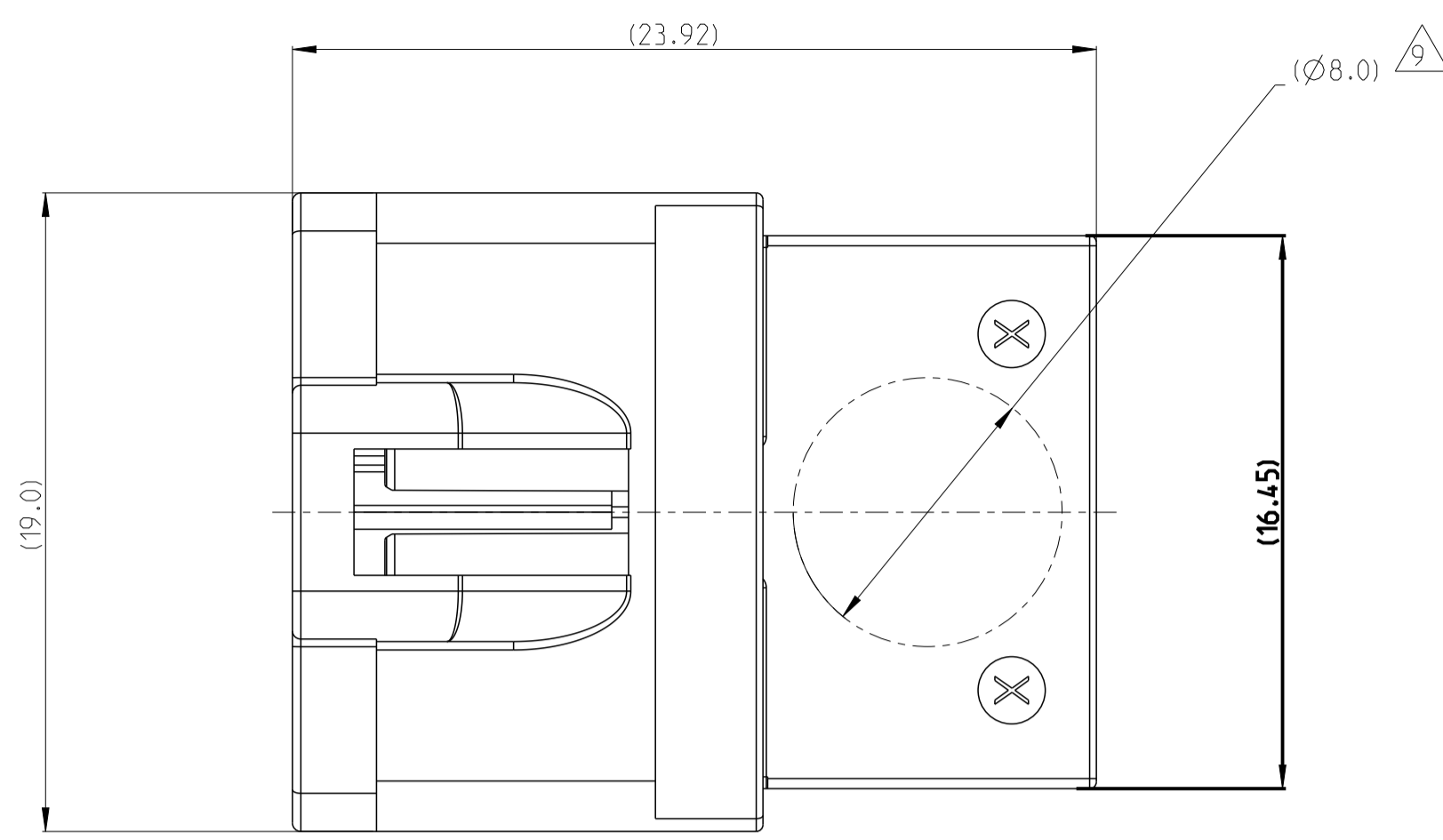


REVISIONS				
P	LTN	DESCRIPTION	DATE	APPROV
1		PRELIMINARY	09JUL21	M.X
A		REVISED PER ECN-21-128714	08DEC21	M.X
A1		REVISED PER ECN-22-148402	17APR22	M.X
A4		REVISED PER ECN-22-181304	26OCT22	A.Z



1. 2374900-1 AS SHOWN.

2 CONTACT: COPPER ALLOY
HOUSING: HIGH TEMP POLYAMIDE
DIELECTRIC: HIGH TEMP LCP
DIECAST: ZINC ALLOY.

3 PIN CONTACT - 0.38µm MIN GOLD ON INTERFACE END, 3.0µm MIN TIN ON SOLDER END, BOTH OVER 1.3µm MIN NICKEL.
OUTER SHELL - 3.0µm MIN TIN OVER 1.3µm MIN NICKEL.

4 MASS = 19.88g.

5. INTERFACE DESIGNED AROUND 100 Ohm DIFFERENTIAL SIGNAL.

6. THIS PRODUCT HAS NOT COMPLETED PRODUCT VERIFICATION TESTING.

7 PCB EDGE SHOULD NOT EXCEED THE FRONT SURFACE OF CONNECTOR HOUSING.

8 DATUM AND DIMENSION ESTABLISHED BY CUSTOMER .

9 VACUUM ABSORPTION AREA.

10 SYMBOL ■ IS SIGNIFICANT CHARACTERISTIC.
SYMBOL ⊗ IS MAJOR CHARACTERISTIC.

3	WATER BLUE	Z	1-2374900-4
3	LIGHT GREEN	O	1-2374900-3
3	PASTEL ORANGE	M	1-2374900-2
3	YELLOW GREEN	L	1-2374900-1
3	CURRY	K	1-2374900-0
3	BEIGE	J	2374900-9
3	LIGHT PINK	H	2374900-8
3	PLATINUM GREY	G	2374900-7
3	NUT BROWN	F	2374900-6
3	MAY GREEN	E	2374900-5
3	CLARET VIOLET	D	2374900-4
3	LIGHT BLUE	C	2374900-3
3	PURE WHITE	B	2374900-2
3	JET BLACK	A	2374900-1
FINISH	HOUSING COLOR	KEYING CODE	PART NUMBER

THIS DRAWING IS A CONTROLLED DOCUMENT.

OWN: A.ZHAO 26OCT2022
CHK: D.ZHU 26OCT2022
APPV: L.PAN 26OCT2022

TE Connectivity

NAME: GEMnet 4P 90DEG HEADER

SIZE: A | 00779 | C=2374900 | SHEET 1 OF 3 | REV A4

SCALE: 5:1

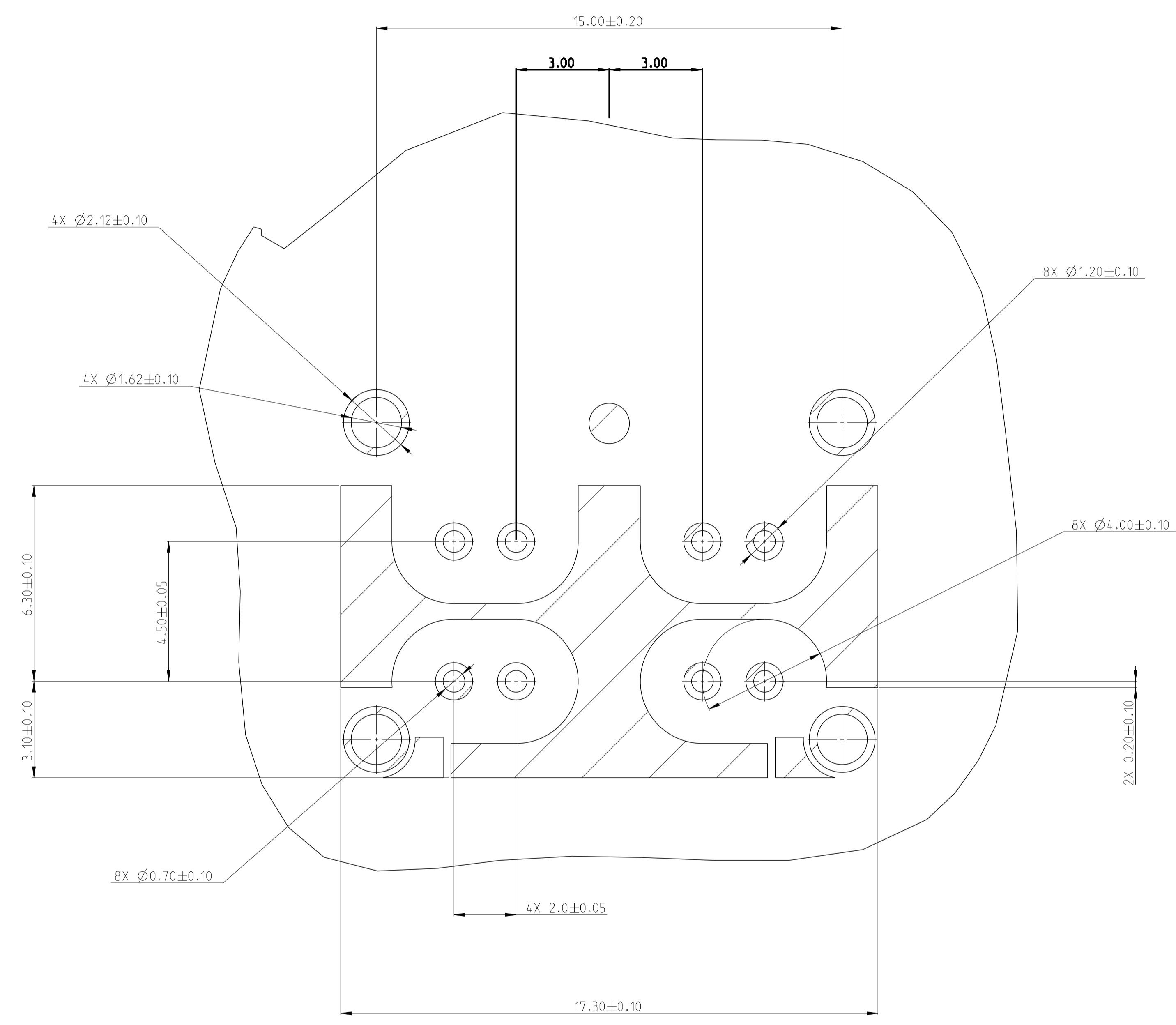
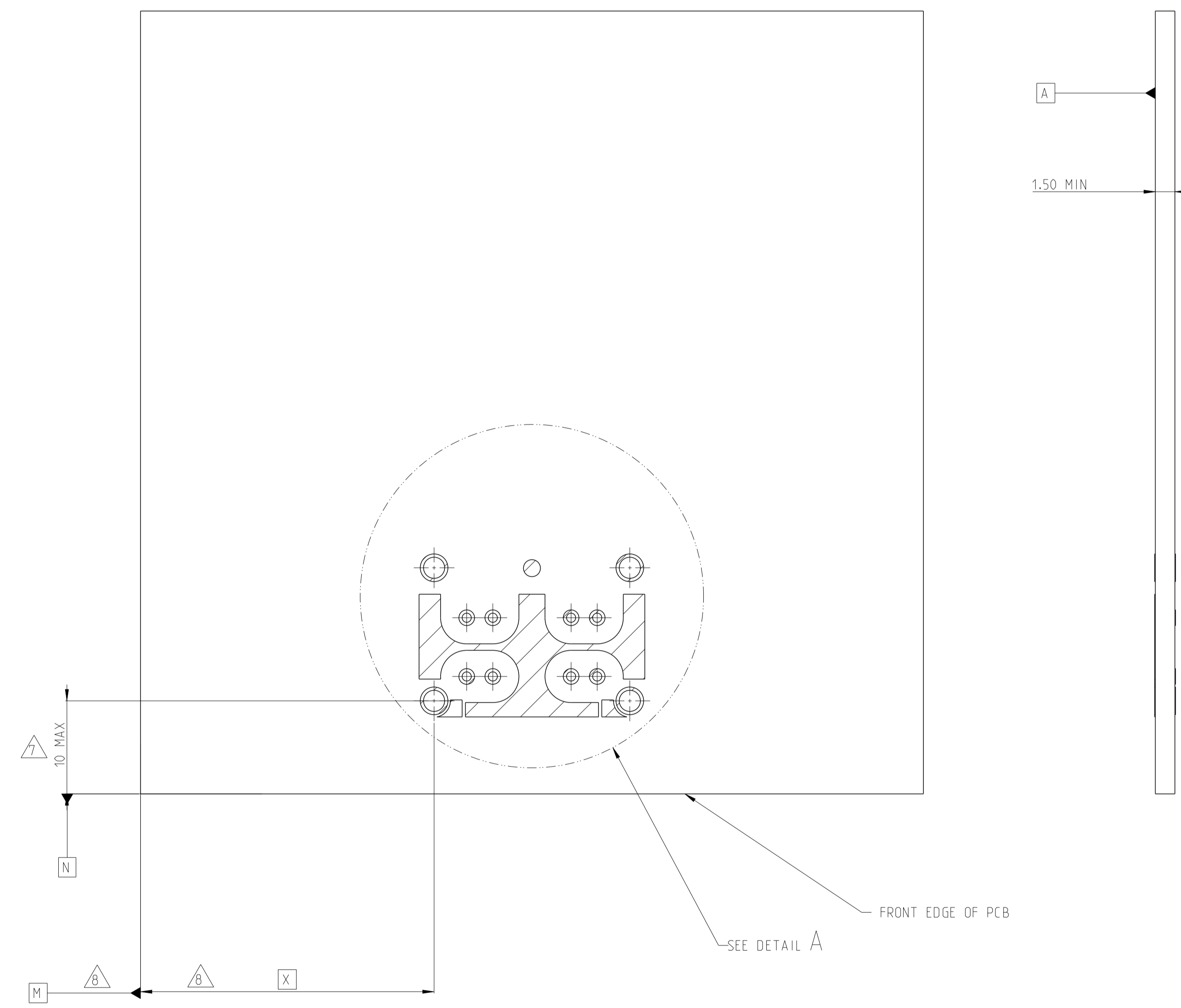
MATERIAL: SEE TABLE

FINISH: SEE TABLE

WEIGHT: 19.88g

RESTRICTED TO: CUSTOMER DRAWING

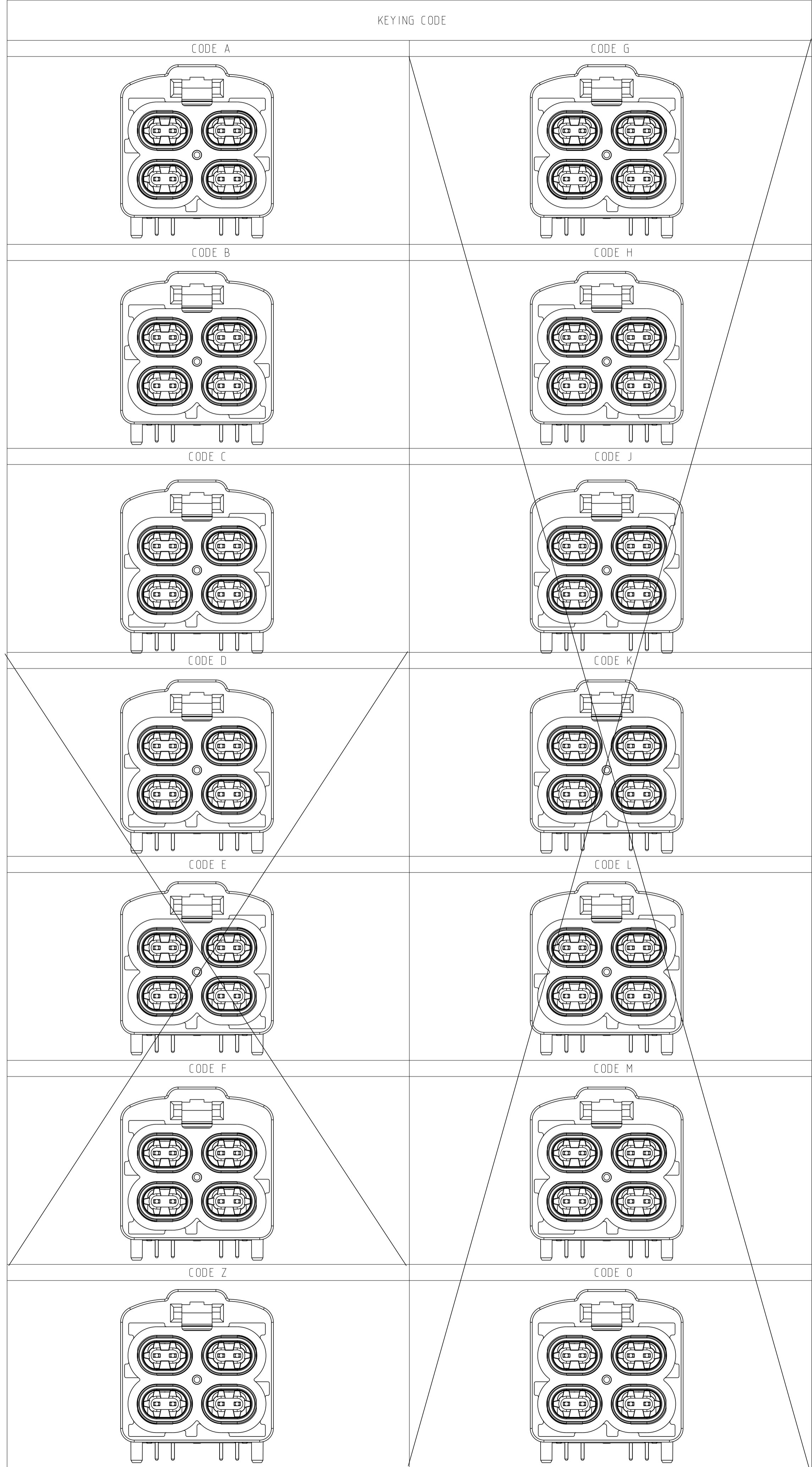
REVISIONS				
P	LTN	DESCRIPTION	DATE	APVD
		SEE SHEET 1		



DETAIL A
SCALE 10:1

THIS DRAWING IS A CONTROLLED DOCUMENT.		DWN A.ZHAO	260CT2022		TE Connectivity
		CHK D.ZHU	260CT2022		
DIMENSIONS:		TOLERANCES UNLESS OTHERWISE SPECIFIED		NAME GEMnet 4P 90DEG HEADER	
mm	0 PLC ±0.1			PRODUCT SPEC	
	1 PLC ±0.05			APPLICATION SPEC	
	2 PLC ±0.001			SIZE CAGE CODE DRAWING NO	
	3 PLC ±0.0001			RESTRICTED TO	
	4 PLC ±0.0001			A 00779 C=2374900	
	ANGLES			SCALE 5:1 SHEET 2 OF 3 REV A4	
	FINISH			CUSTOMER DRAWING	

KEYING CODE



REVISIONS				
P	LTN	DESCRIPTION	DATE	APVD
		SEE SHEET 1		

THIS DRAWING IS A CONTROLLED DOCUMENT.

DIMENSIONS:	TOLERANCES UNLESS OTHERWISE SPECIFIED	DWN	A.ZHAO	260CT2022
mm	0 PLC ±0.1	CHK	D.ZHU	260CT2022
	1 PLC ±0.05	APP'D	L.PAN	260CT2022
	2 PLC ±0.001	PRODUCT SPEC	TBD	
	3 PLC ±0.001	APPLICATION SPEC	TBD	
	4 PCC ±0.0001	WEIGHT	4	
	ANGLES	FINISH	SEE TABLE	
MATERIAL	2	CUSTOMER DRAWING		

NAME: GEMnet 4P 90DEG HEADER

SIZE: A | CAGE CODE: 00779 | DRAWING NO: C=2374900

SCALE: 3:1 | SHEET: 3 OF 3 | REV: A4