

TCP 10/12A - Thermal device circuit breaker



1538627

<https://www.phoenixcontact.com/pc/products/1538627>

Please be informed that the data shown in this PDF document is generated from our online catalog. Please find the complete data in the user documentation. Our general terms of use for downloads are valid.



Thermal miniature circuit breaker, can be plugged into PT 10-FSI/C Push-in fuse terminal block.

Your advantages

- Fast, replacement part-free recommissioning after an event with the reconnection options
- Easy to retrofit in existing systems with vehicle flat-type fuses with identical pin connector pattern
- System disconnection for maintenance actions via the integrated device switch

Commercial data

Item number	1538627
Packing unit	20 pc
Minimum order quantity	1 pc
Product key	CLA111
GTIN	4067923010628
Weight per piece (including packing)	13.25 g
Weight per piece (excluding packing)	13.25 g
Customs tariff number	85362010
Country of origin	ID

TCP 10/12A - Thermal device circuit breaker



1538627

<https://www.phoenixcontact.com/pc/products/1538627>

Technical data

Product properties

Type	Male
Product type	Thermal device circuit breakers
Number of positions	1

Insulation characteristics

Overvoltage category	II
	III (Actuation area)
Degree of pollution	2

Electrical properties

Fuse type	Automatic device
Fuse	Slow-blow

General

Rated voltage	250 V AC
	72 V DC
	250 V AC (UL/CSA)
	72 V DC (UL/CSA)
Rated current I_N	12 A
Rated surge voltage	2.5 kV
Insulation resistance R_{iso}	> 100 M Ω (500 V DC)
Tripping method	T (thermal)
Device resistance	0 Ω
Rated short-circuit switching capacity I_{cn}	30 A (250 V AC)
	50 A (72 V DC)
Short-circuit switching capacity	2000 A (250 V AC / UL 1077)
	2000 A (72 V DC / UL 1077)
Dielectric strength	3000 V AC (Actuation area)
	1500 V AC (Installation area)
Switching cycles, max.	6000 (At 1 x I_n , low-induction)
	3000 (At 1 x I_n , inductive)
	40 (at 6 x I_n , AC)

Connection data

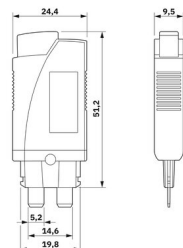
Connection method	pluggable
-------------------	-----------

Dimensions

TCP 10/12A - Thermal device circuit breaker

1538627

<https://www.phoenixcontact.com/pc/products/1538627>

Dimensional drawing	
Width	9.5 mm
Height	24.4 mm
Depth	44.5 mm

Material specifications

Flammability rating according to UL 94	V-0
Insulating material group	IIIb
Insulating material	PPS

Mechanical properties

Mechanical data

Open side panel	No
-----------------	----

Environmental and real-life conditions

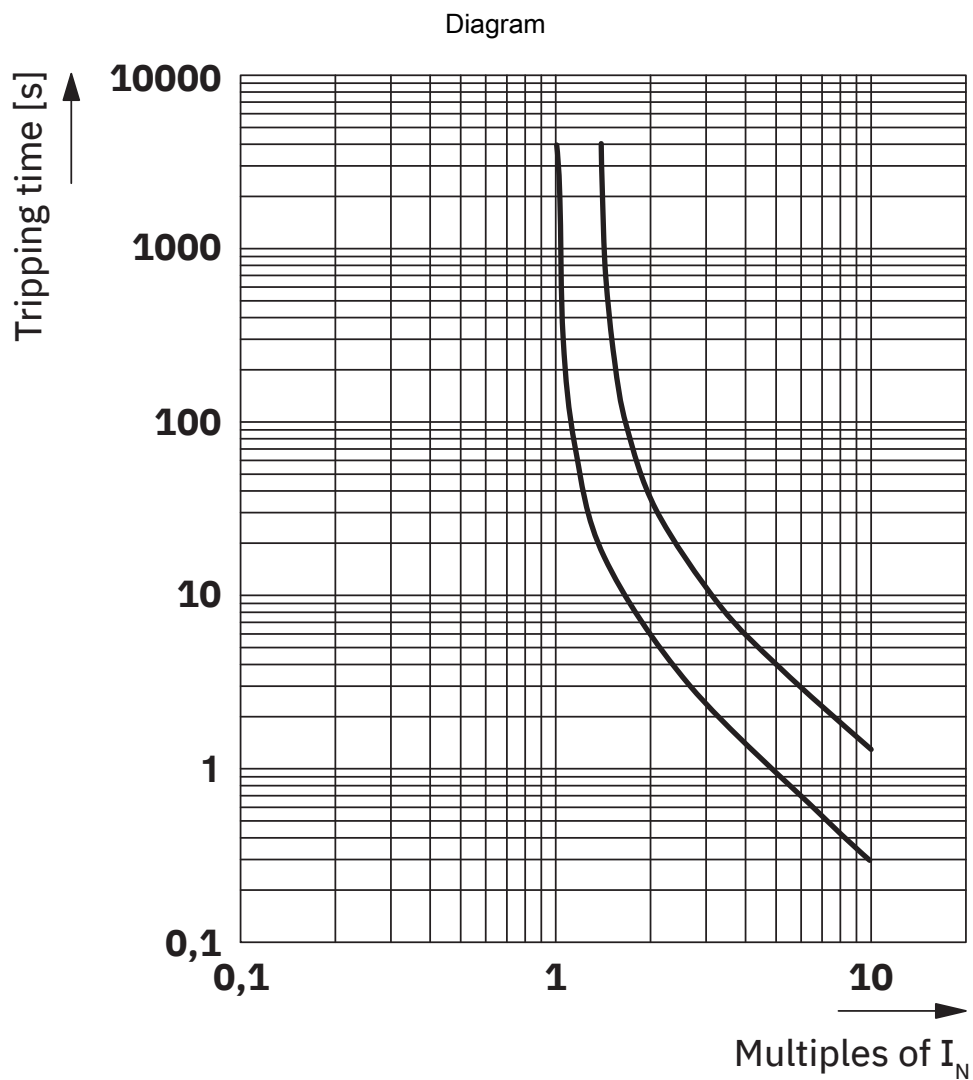
Ambient conditions

Degree of protection	IP40 (Actuation area) IP00 (Connection area)
Ambient temperature (operation)	-20 °C ... 60 °C
Ambient temperature (storage/transport)	-40 °C ... 80 °C
Altitude	≤ 4000 m (amsl)
Humidity test	240 h, 95 % RH, 40 °C
Shock (operation)	25g (11 ms period, half-sine shock pulse, according to IEC 60068-2-27)
Vibration (operation)	± 0.38 mm (10 ... 57 Hz) 5g (57 ... 500 Hz)

Mounting

Mounting type	on base element
---------------	-----------------

Drawings



Trigger characteristic

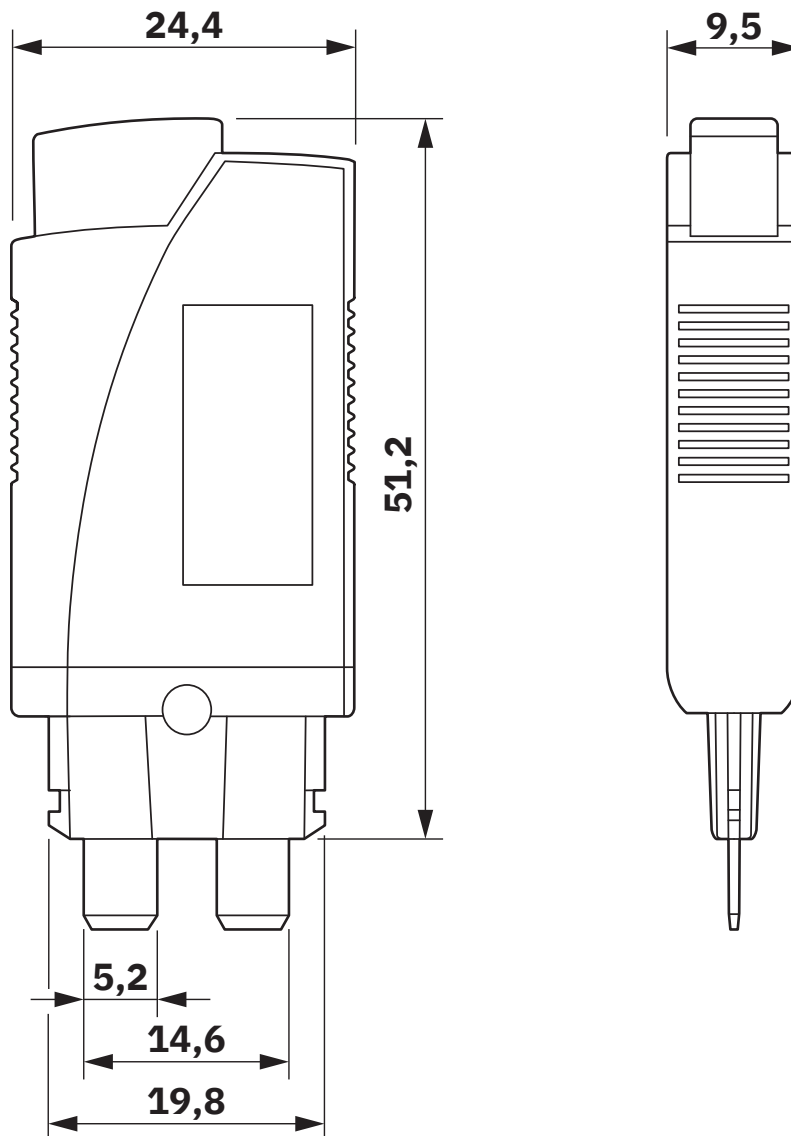
TCP 10/12A - Thermal device circuit breaker

1538627

<https://www.phoenixcontact.com/pc/products/1538627>



Dimensional drawing



TCP 10/12A - Thermal device circuit breaker



1538627

<https://www.phoenixcontact.com/pc/products/1538627>

Classifications

ECLASS

ECLASS-11.0	27141116
ECLASS-12.0	27141116
ECLASS-13.0	27140401

ETIM

ETIM 9.0	EC000899
----------	----------

TCP 10/12A - Thermal device circuit breaker

1538627

<https://www.phoenixcontact.com/pc/products/1538627>

Mandatory accessories

PT 10-FSI/C - Fuse modular terminal block

1088498

<https://www.phoenixcontact.com/pc/products/1088498>



Fuse modular terminal block, fuse type: Flat, fuse type: C, nom. voltage: 400 V, nominal current: 25 A, connection method: Push-in connection, Rated cross section: 10 mm², cross section: 0.5 mm²- 16 mm², mounting type: NS 35/7,5, NS 35/15, color: black

PT 10-FSI/C-LED 24 - Fuse modular terminal block

1088500

<https://www.phoenixcontact.com/pc/products/1088500>



Fuse modular terminal block, fuse type: Flat, fuse type: C, nom. voltage: 24 V, nominal current: 25 A, connection method: Push-in connection, Rated cross section: 10 mm², cross section: 0.5 mm²- 16 mm², mounting type: NS 35/7,5, NS 35/15, color: black

TCP 10/12A - Thermal device circuit breaker



1538627

<https://www.phoenixcontact.com/pc/products/1538627>

PT 10-FSI/C-LED 48 - Fuse modular terminal block

1088501

<https://www.phoenixcontact.com/pc/products/1088501>



Fuse modular terminal block, fuse type: Flat, fuse type: C, nom. voltage: 48 V, nominal current: 25 A, connection method: Push-in connection, Rated cross section: 10 mm², cross section: 0.5 mm²- 16 mm², mounting type: NS 35/7,5, NS 35/15, color: black

Accessories

ZBFM 5/WH:UNBEDRUCKT - Flat zack marker sheet

0803595

<https://www.phoenixcontact.com/pc/products/0803595>



Flat zack marker sheet, Sheet, white, unlabeled, can be labeled with: CMS-P1-PLOTTER, PLOTMARK, mounting type: snapped, for terminal block width: 5.2 mm, lettering field size: 5 x 4.5 mm, Number of individual labels: 120

TCP 10/12A - Thermal device circuit breaker



1538627

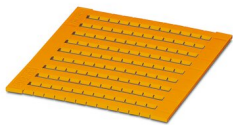
<https://www.phoenixcontact.com/pc/products/1538627>

ZBFM 5/OG:UNBEDRUCKT - Flat zack marker sheet

0807180

<https://www.phoenixcontact.com/pc/products/0807180>

Flat zack marker sheet, Sheet, orange, unlabeled, can be labeled with: CMS-P1-PLOTTER, PLOTMARK, mounting type: snapped, for terminal block width: 5.2 mm, lettering field size: 5 x 4.5 mm, Number of individual labels: 120



Phoenix Contact 2023 © - all rights reserved

<https://www.phoenixcontact.com>

PHOENIX CONTACT GmbH & Co. KG

Flachsmarktstraße 8

D-32825 Blomberg

+49 (0) 5235-3 00

info@phoenixcontact.com