

TCP 5A - Thermal device circuit breaker



1538622

<https://www.phoenixcontact.com/pc/products/1538622>

Please be informed that the data shown in this PDF document is generated from our online catalog. Please find the complete data in the user documentation. Our general terms of use for downloads are valid.



Thermal miniature circuit breaker, pluggable in screw-type fuse terminal block UK 6-FSI/C and spring-cage fuse terminal block ST 4-FSI/C

Your advantages

- Fast, replacement part-free recommissioning after an event with the reconnection options
- Easy to retrofit in existing systems with vehicle flat-type fuses with identical pin connector pattern
- System disconnection for maintenance actions via the integrated device switch

Commercial data

Item number	1538622
Packing unit	20 pc
Minimum order quantity	1 pc
Product key	CLA111
GTIN	4067923010086
Weight per piece (including packing)	11.45 g
Weight per piece (excluding packing)	16,742 g
Customs tariff number	85362010
Country of origin	ID

TCP 5A - Thermal device circuit breaker



1538622

<https://www.phoenixcontact.com/pc/products/1538622>

Technical data

Notes

General	When mounted in rows, the nominal device current can be limited to just 80% or must be oversized accordingly.
---------	---

Product properties

Type	Male
Product type	Thermal device circuit breakers
Number of positions	1

Insulation characteristics

Overvoltage category	II
Degree of pollution	2

Electrical properties

Fuse type	Automatic device
Maximum power dissipation for nominal condition	≤ 0.9 VA
Fuse	Slow-blow

General

Rated voltage	250 V AC
	65 V DC
	250 V AC (AC according to UL 1077)
	72 V DC (DC according to UL 1077)
Rated current I_N	5 A
Rated surge voltage	2.5 kV
Insulation resistance R_{iso}	> 100 M Ω (500 V DC)
Tripping method	T (thermal)
Device resistance	0.05 Ω
Rated short-circuit switching capacity I_{cn}	30 A (250 V AC / 65 V DC)
	50 A (30 V DC)
Short-circuit switching capacity	2000 A (250 V AC / UL 1077)
	2000 A (72 V DC / UL 1077)
Dielectric strength	3000 V AC (Actuation area)
	1500 V AC (Installation area)
Switching cycles, max.	6000 (At $1 \times I_N$, low-induction)
	3000 (At $1 \times I_N$, inductive)
	500 (At $2 \times I_N$, inductive)

Connection data

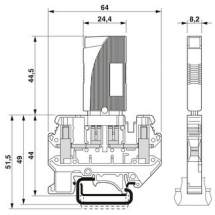
Connection method	pluggable
-------------------	-----------

Dimensions

TCP 5A - Thermal device circuit breaker

1538622

<https://www.phoenixcontact.com/pc/products/1538622>

Dimensional drawing	
Width	8.2 mm
Height	24.4 mm
Depth	44.5 mm

Material specifications

Flammability rating according to UL 94	V-0
Insulating material group	IIIb
Insulating material	PPS

Mechanical properties

Mechanical data

Open side panel	No
-----------------	----

Environmental and real-life conditions

Ambient conditions

Degree of protection	IP40 (Actuation area)
Ambient temperature (operation)	-20 °C ... 60 °C
Altitude	≤ 4000 m (amsl)
Humidity test	240 h, 95 % RH, 40 °C

Mounting

Mounting type	on base element
---------------	-----------------

TCP 5A - Thermal device circuit breaker

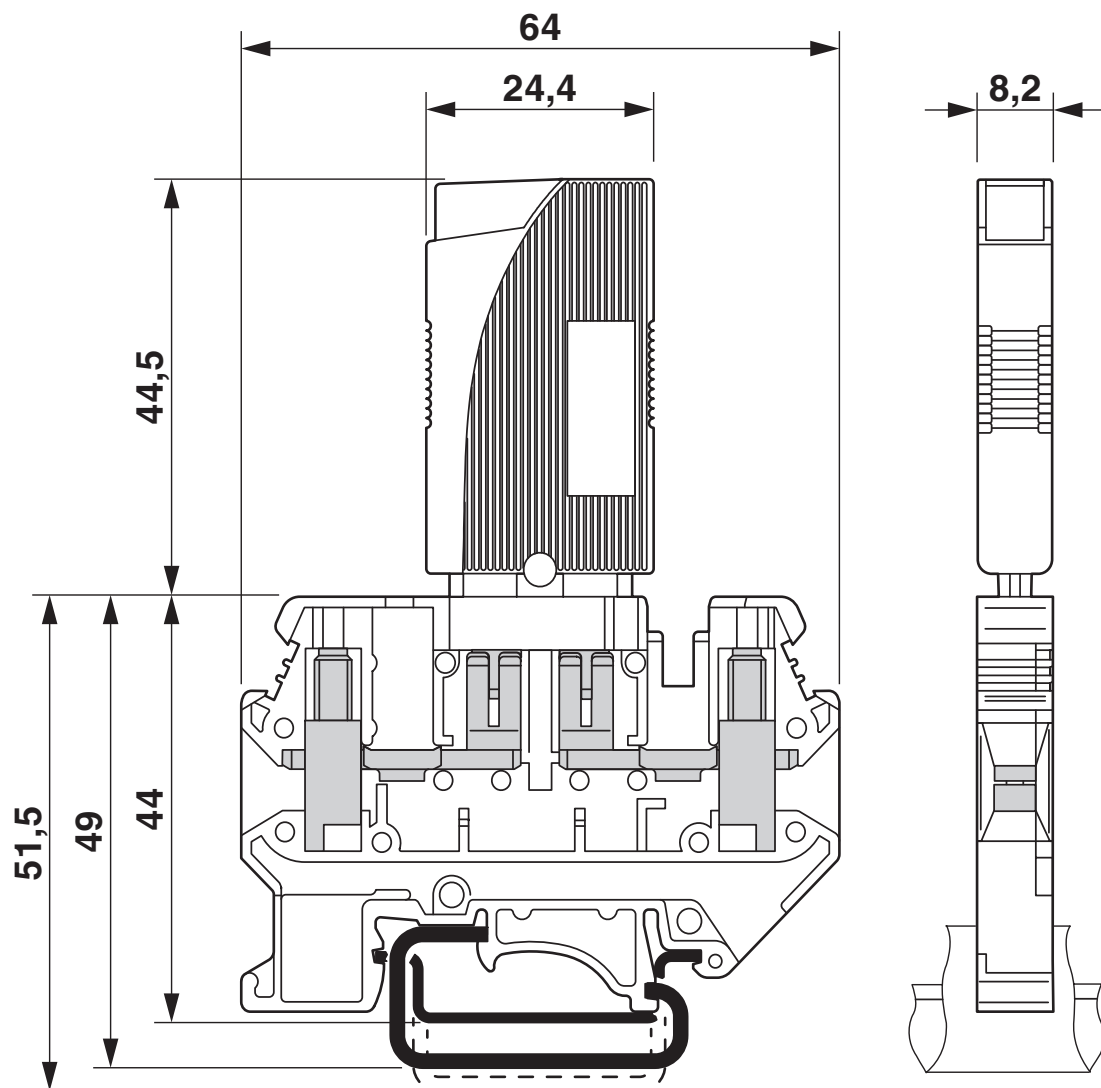
1538622

<https://www.phoenixcontact.com/pc/products/1538622>



Drawings

Dimensional drawing



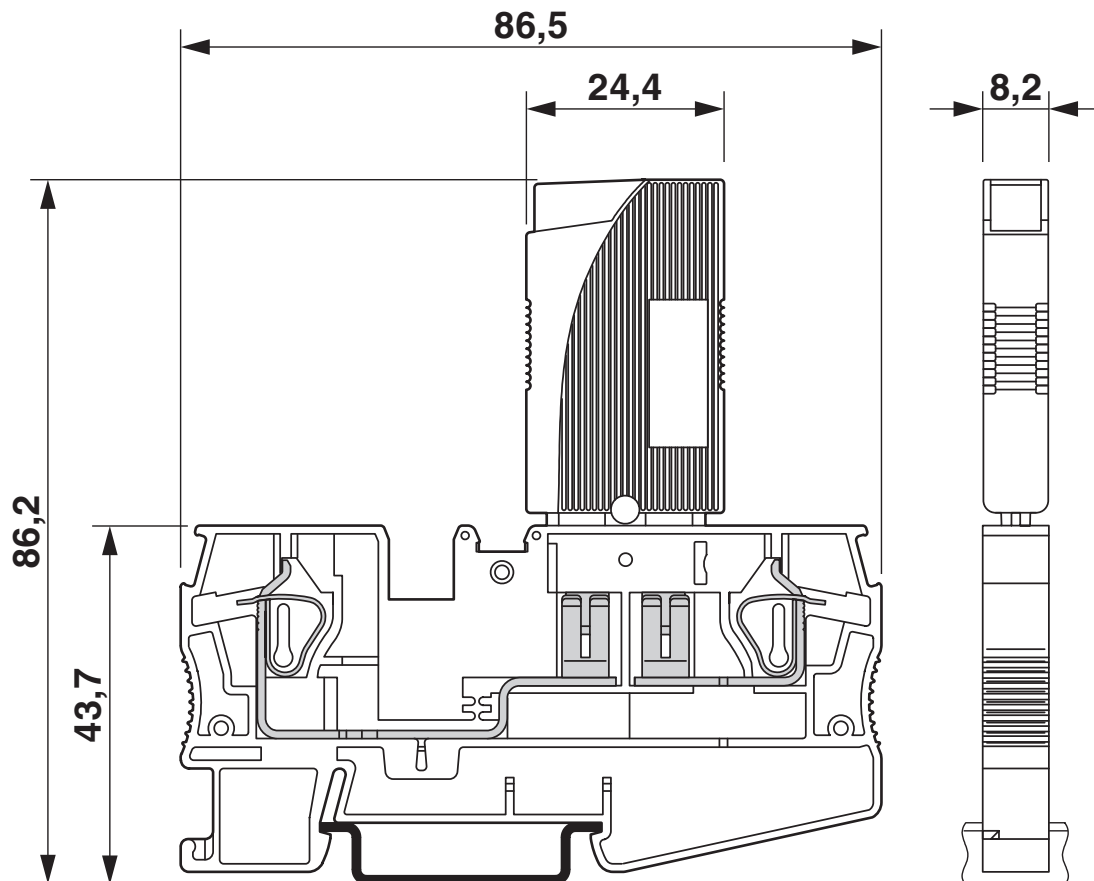
TCP 5A - Thermal device circuit breaker

1538622

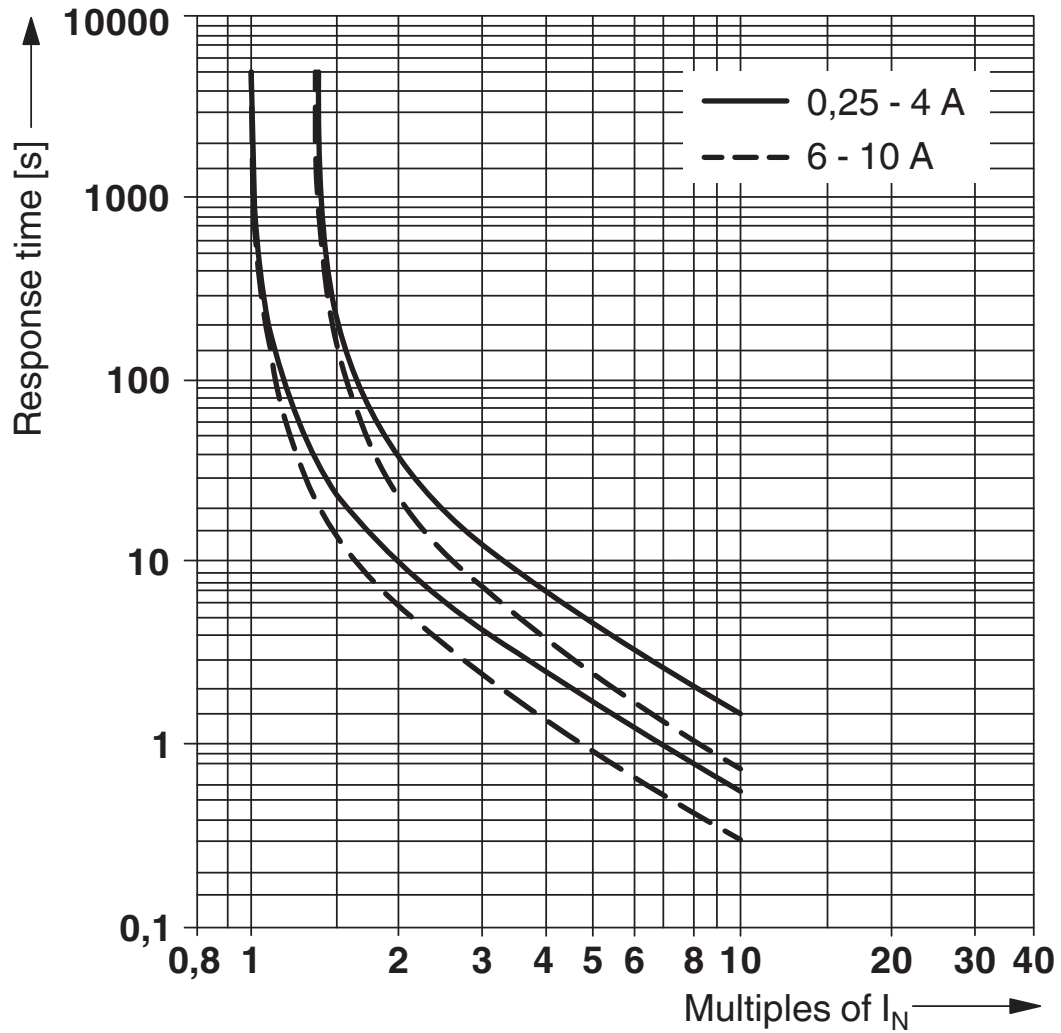
<https://www.phoenixcontact.com/pc/products/1538622>



Dimensional drawing



Diagram



Trigger characteristic

TCP 5A - Thermal device circuit breaker

1538622

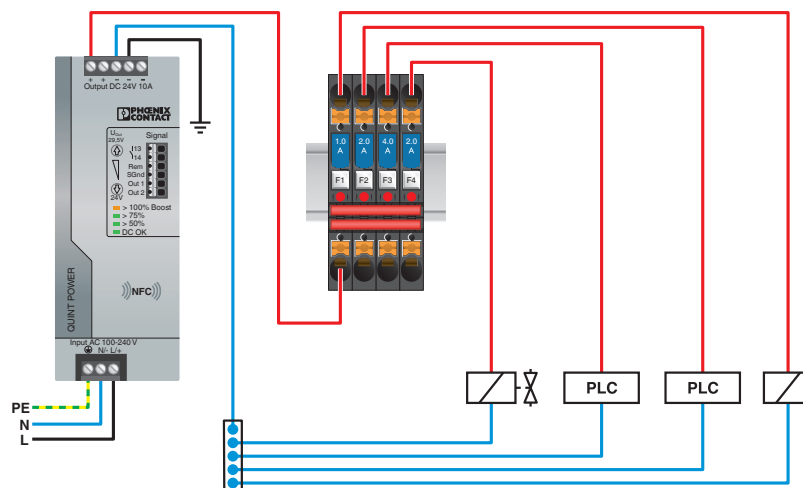
<https://www.phoenixcontact.com/pc/products/1538622>

Product drawing



The figure shows the product with the base element PT 6-FSI/C-LED 24 (Item No.: 3212172).

Application drawing



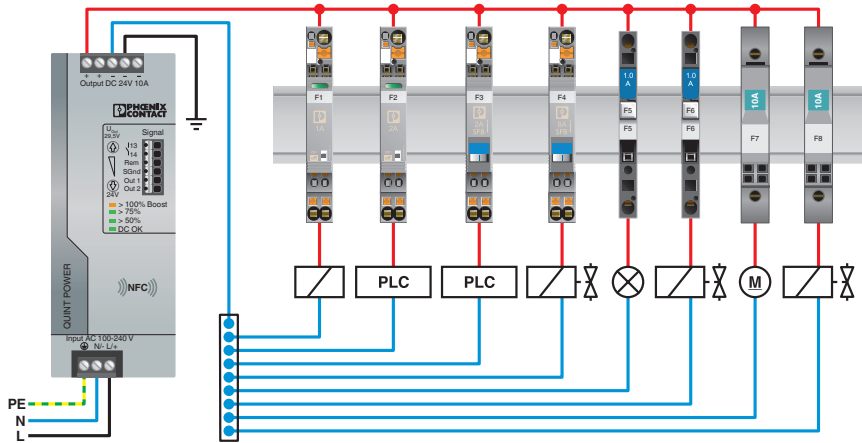
TCP 5A - Thermal device circuit breaker



1538622

<https://www.phoenixcontact.com/pc/products/1538622>

Application drawing

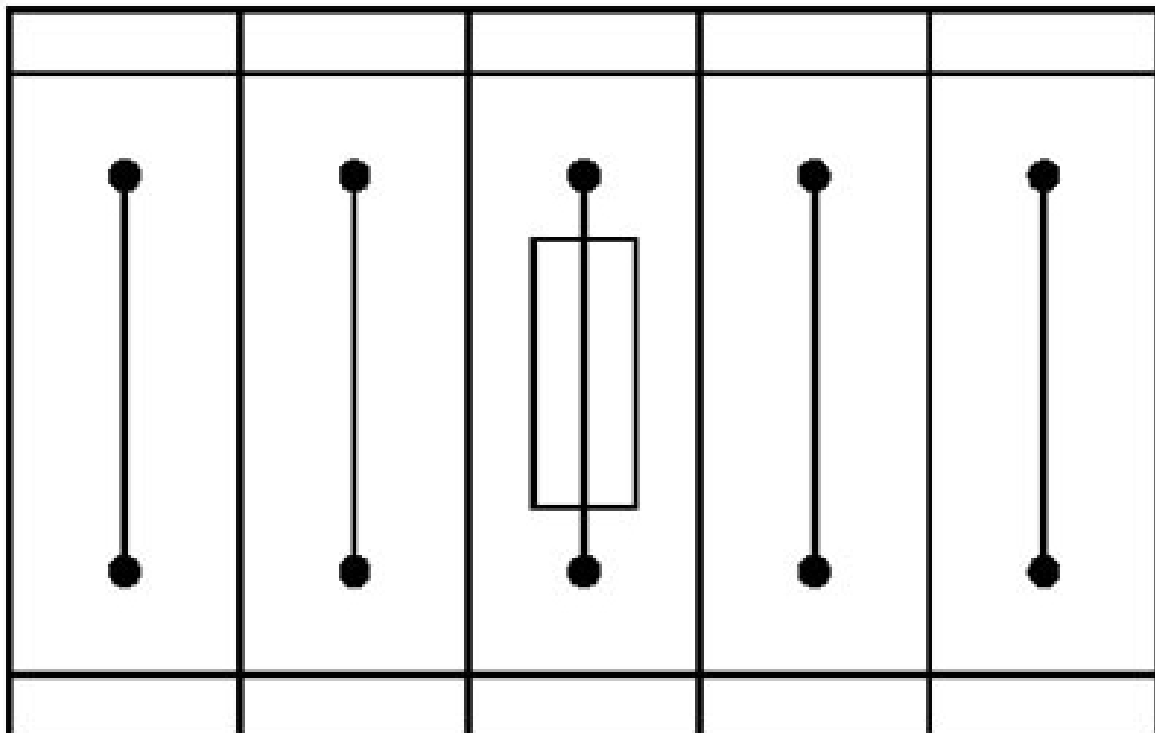


TCP 5A - Thermal device circuit breaker

1538622

<https://www.phoenixcontact.com/pc/products/1538622>

Application drawing



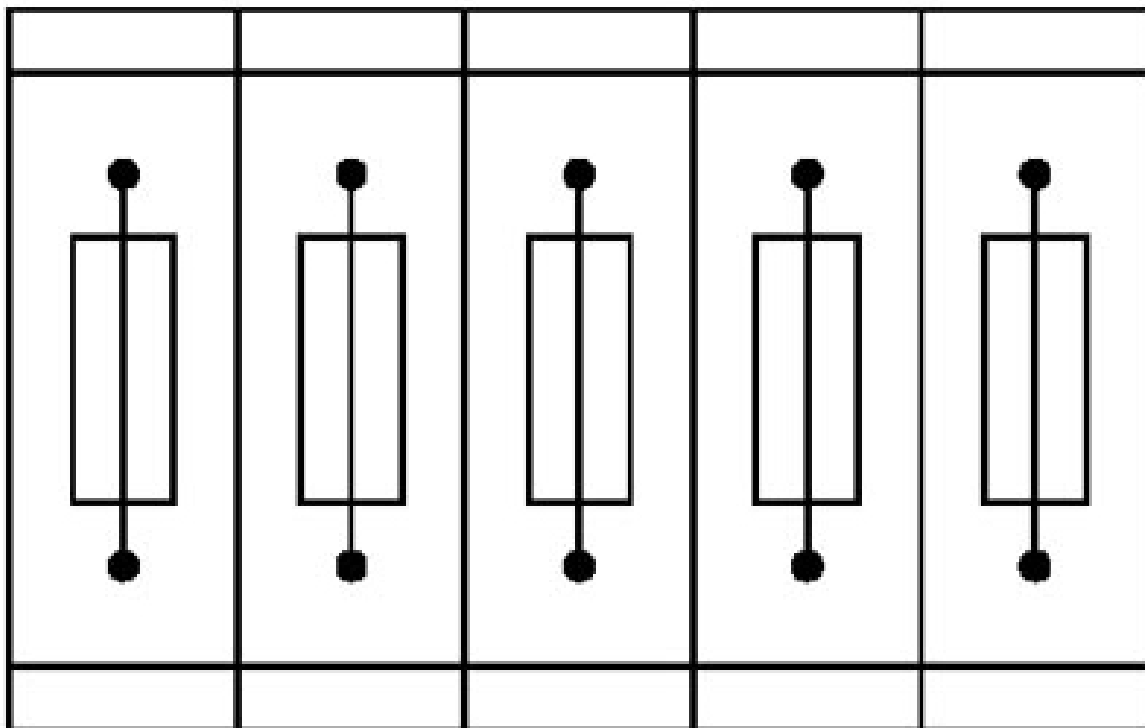
Fuse terminal block in single arrangement,
block consisting of one fuse terminal block and 4 feed-through terminal blocks

TCP 5A - Thermal device circuit breaker

1538622

<https://www.phoenixcontact.com/pc/products/1538622>

Application drawing



Fuse terminal blocks in interconnected arrangement,
block consisting of 5 fuse terminal blocks

TCP 5A - Thermal device circuit breaker



1538622

<https://www.phoenixcontact.com/pc/products/1538622>

Classifications

ECLASS

ECLASS-13.0

27140401

ETIM

ETIM 9.0

EC003538

TCP 5A - Thermal device circuit breaker



1538622

<https://www.phoenixcontact.com/pc/products/1538622>

Environmental product compliance

China RoHS	Environmentally friendly use period: unlimited = EFUP-e
	No hazardous substances above threshold values

TCP 5A - Thermal device circuit breaker



1538622

<https://www.phoenixcontact.com/pc/products/1538622>

Accessories

ZBFM 5/WH:UNBEDRUCKT - Flat zack marker sheet

0803595

<https://www.phoenixcontact.com/pc/products/0803595>

Flat zack marker sheet, Sheet, white, unlabeled, can be labeled with: CMS-P1-PLOTTER, PLOTMARK, mounting type: snapped, for terminal block width: 5.2 mm, lettering field size: 5 x 4.5 mm, Number of individual labels: 120

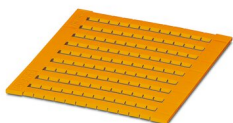


ZBFM 5/OG:UNBEDRUCKT - Flat zack marker sheet

0807180

<https://www.phoenixcontact.com/pc/products/0807180>

Flat zack marker sheet, Sheet, orange, unlabeled, can be labeled with: CMS-P1-PLOTTER, PLOTMARK, mounting type: snapped, for terminal block width: 5.2 mm, lettering field size: 5 x 4.5 mm, Number of individual labels: 120



TCP 5A - Thermal device circuit breaker

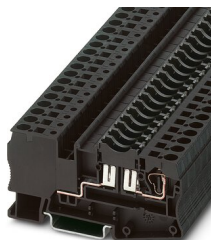
1538622

<https://www.phoenixcontact.com/pc/products/1538622>

ST 4-FSI/C - Fuse modular terminal block

3036372

<https://www.phoenixcontact.com/pc/products/3036372>



Fuse modular terminal block, fuse type: Flat, fuse type: C, nom. voltage: 400 V, nominal current: 30 A, connection method: Spring-cage connection, 1 level, Rated cross section: 4 mm², cross section: 0.08 mm²- 6 mm², mounting type: NS 35/7,5, NS 35/15, color: black

ST 4-FSI/C-LED 12 - Fuse modular terminal block

3036495

<https://www.phoenixcontact.com/pc/products/3036495>



Fuse terminal block with LED for mounting on NS 35, for miniature circuit breakers, terminal width: 8.2 mm, color: Black

TCP 5A - Thermal device circuit breaker

1538622

<https://www.phoenixcontact.com/pc/products/1538622>



ST 4-FSI/C-LED 24 - Fuse modular terminal block

3036505

<https://www.phoenixcontact.com/pc/products/3036505>



Fuse terminal block with LED for mounting on NS 35, for miniature circuit breakers, terminal width: 8.2 mm, color: Black

UK 6-FSI/C - Fuse modular terminal block

3118203

<https://www.phoenixcontact.com/pc/products/3118203>



Fuse modular terminal block, fuse type: Flat, fuse type: C, nom. voltage: 250 V, nominal current: 30 A, number of positions: 1, connection method: Screw connection, 1 level, Rated cross section: 4 mm², cross section: 0.2 mm²- 10 mm², mounting type: NS 35/7,5, NS 35/15, NS 32, color: black

TCP 5A - Thermal device circuit breaker

1538622

<https://www.phoenixcontact.com/pc/products/1538622>

UK 6-FSI/C-LED12 - Fuse modular terminal block

3001925

<https://www.phoenixcontact.com/pc/products/3001925>



Flat-type fuse terminal block, cross section: 0.2 - 6 mm², AWG: 26 - 8, width: 8.2 mm, color: black, with light indicator, voltage light indicator: 12 V DC, current light indicator: 2 mA

UK 6-FSI/C-LED24 - Fuse modular terminal block

3001938

<https://www.phoenixcontact.com/pc/products/3001938>



Flat-type fuse terminal block, cross section: 0.2 - 6 mm², AWG: 26 - 8, width: 8.2 mm, color: black, with light indicator, voltage light indicator: 24 V DC, current light indicator: 2 mA

TCP 5A - Thermal device circuit breaker

1538622

<https://www.phoenixcontact.com/pc/products/1538622>

PT 6-FSI/C - Fuse modular terminal block

3212166

<https://www.phoenixcontact.com/pc/products/3212166>



Fuse modular terminal block, fuse type: Flat, fuse type: Type C / max. 2.2 W, nom. voltage: 400 V, nominal current: 25 A, connection method: Push-in connection, Rated cross section: 6 mm², cross section: 0.5 mm²- 10 mm², mounting type: NS 35/7,5, NS 35/15, color: black

PT 6-FSI/C-LED 12 - Fuse modular terminal block

3212169

<https://www.phoenixcontact.com/pc/products/3212169>



Fuse modular terminal block, fuse type: Flat, fuse type: Type C / max. 2.2 W, nom. voltage: 12 V, nominal current: 25 A, connection method: Push-in connection, Rated cross section: 6 mm², cross section: 0.5 mm²- 10 mm², mounting type: NS 35/7,5, NS 35/15, color: black