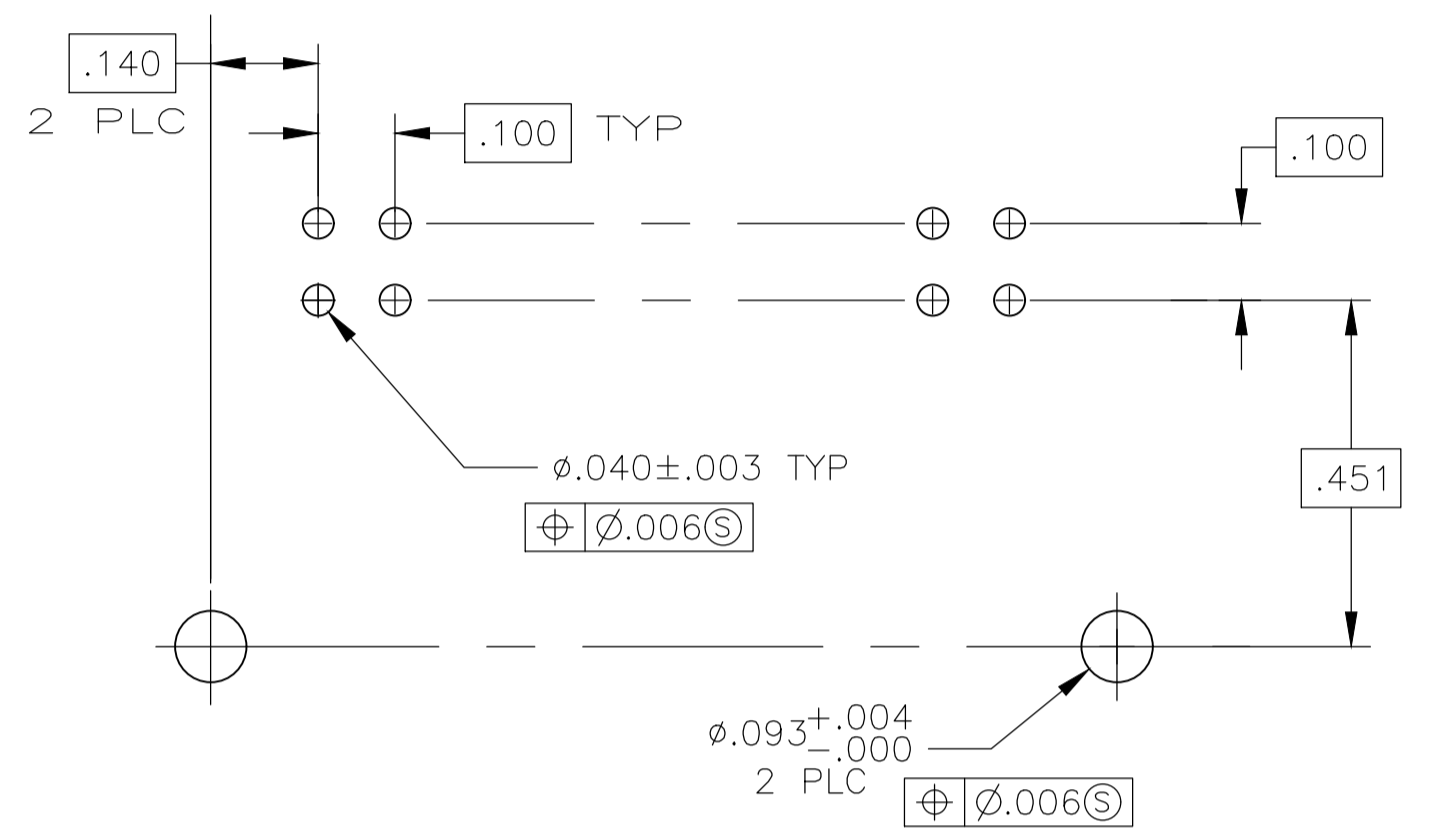
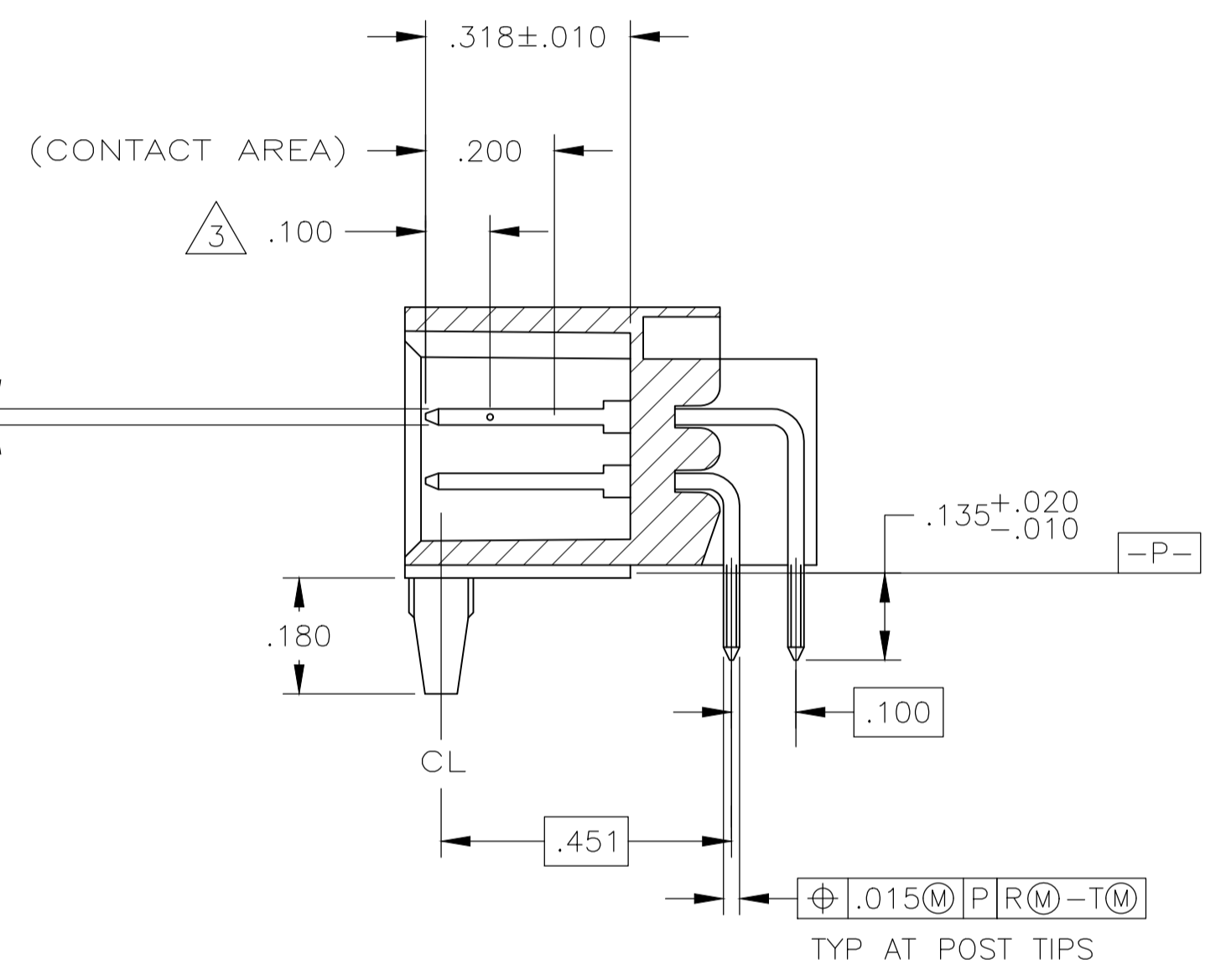
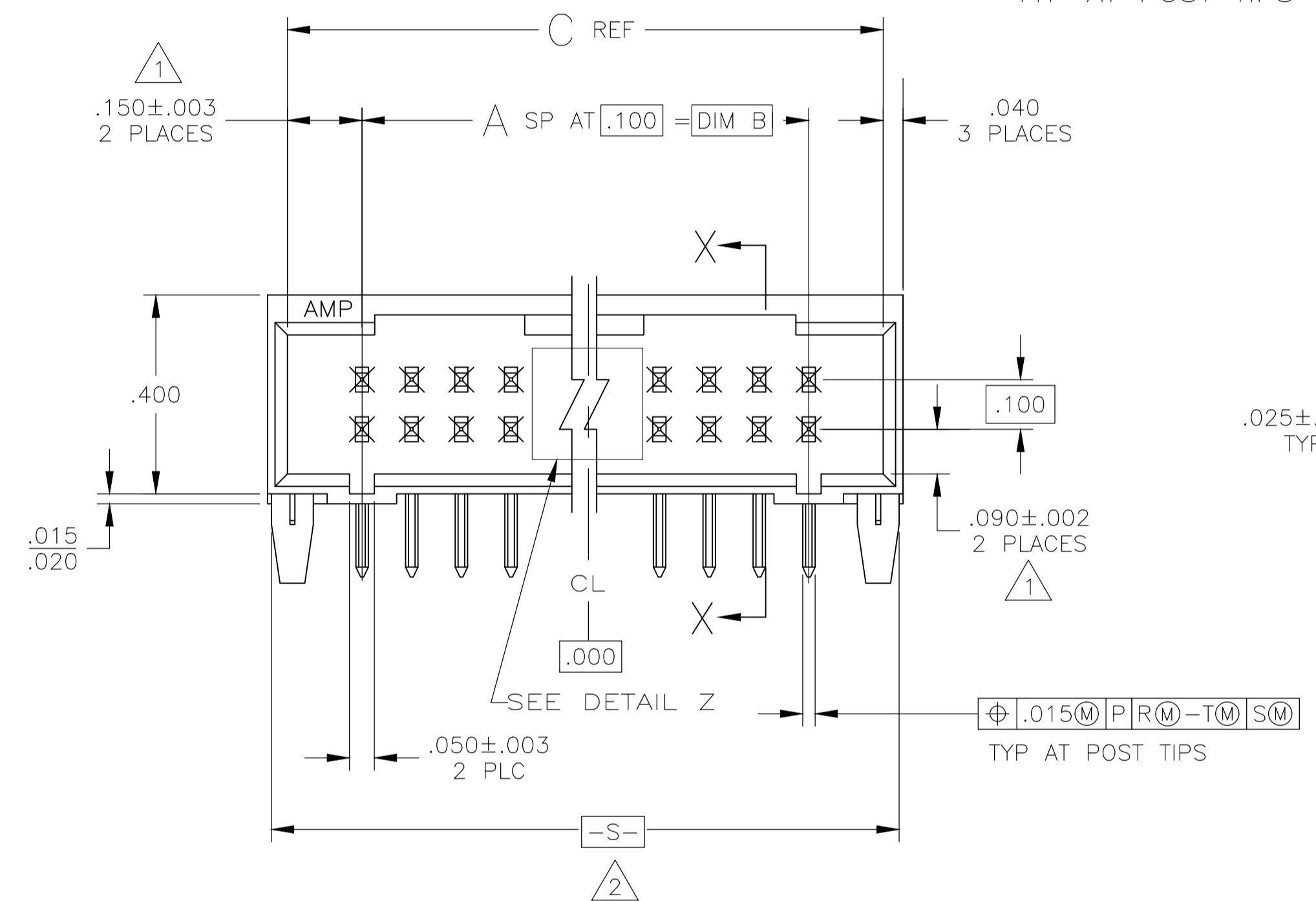
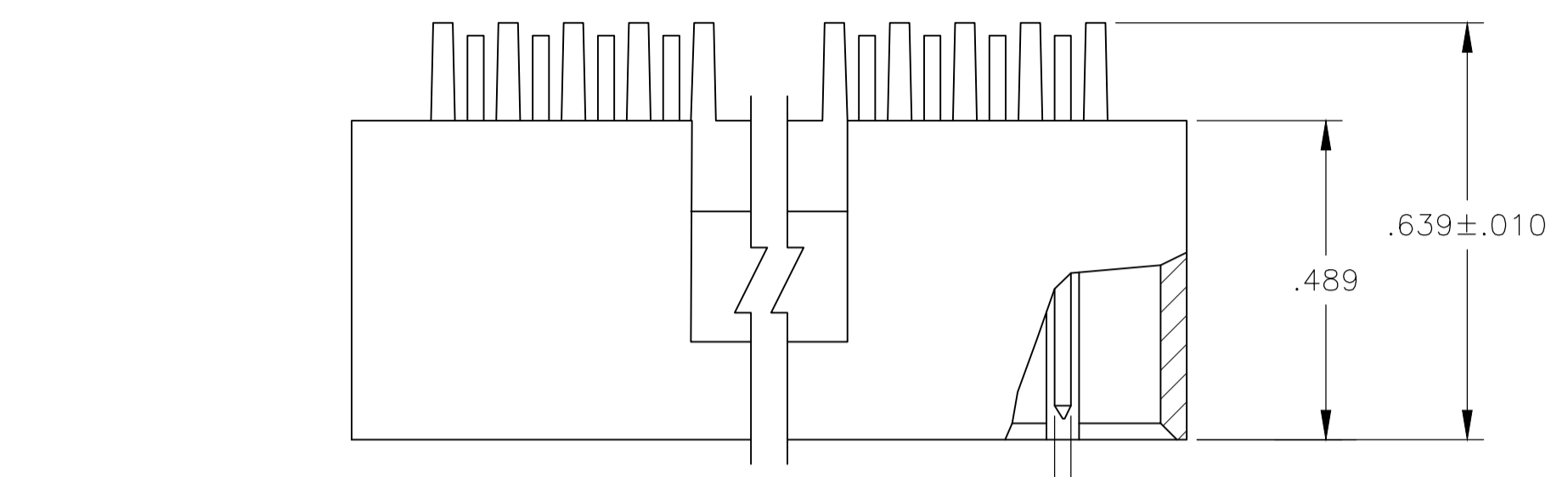
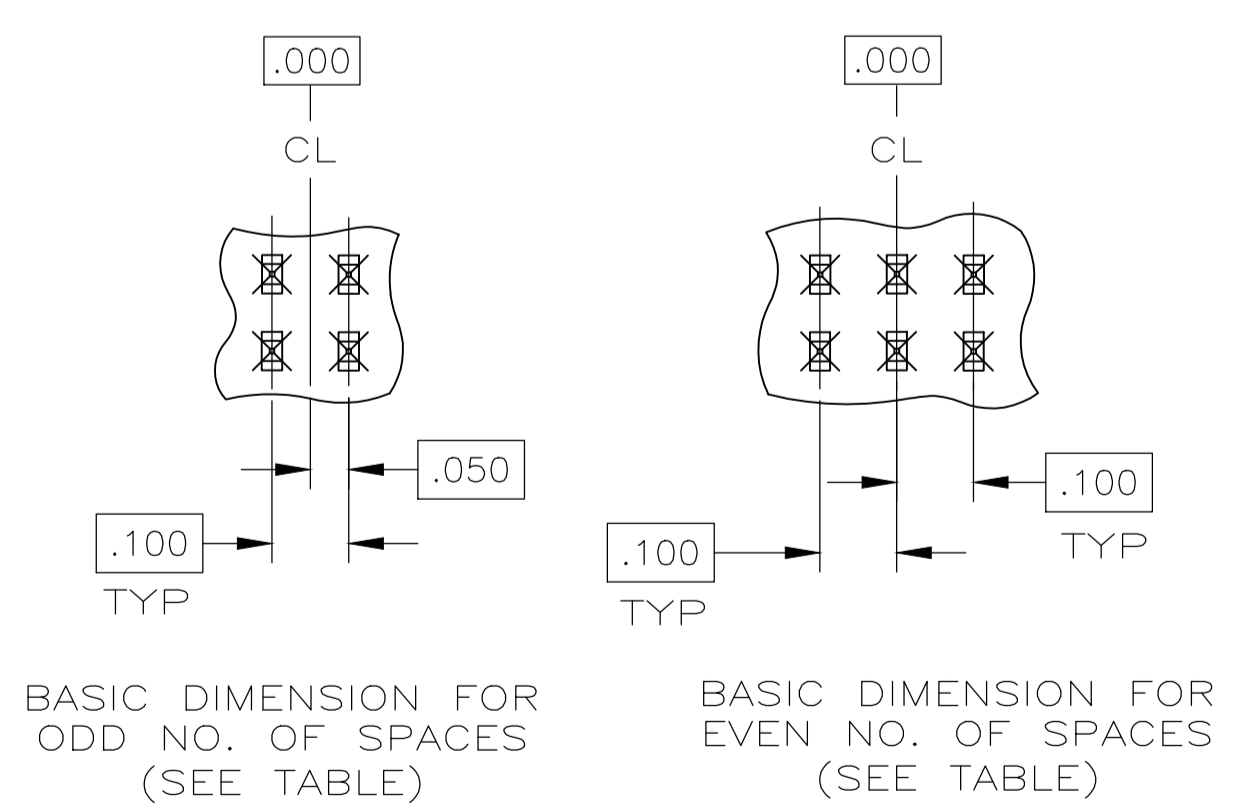
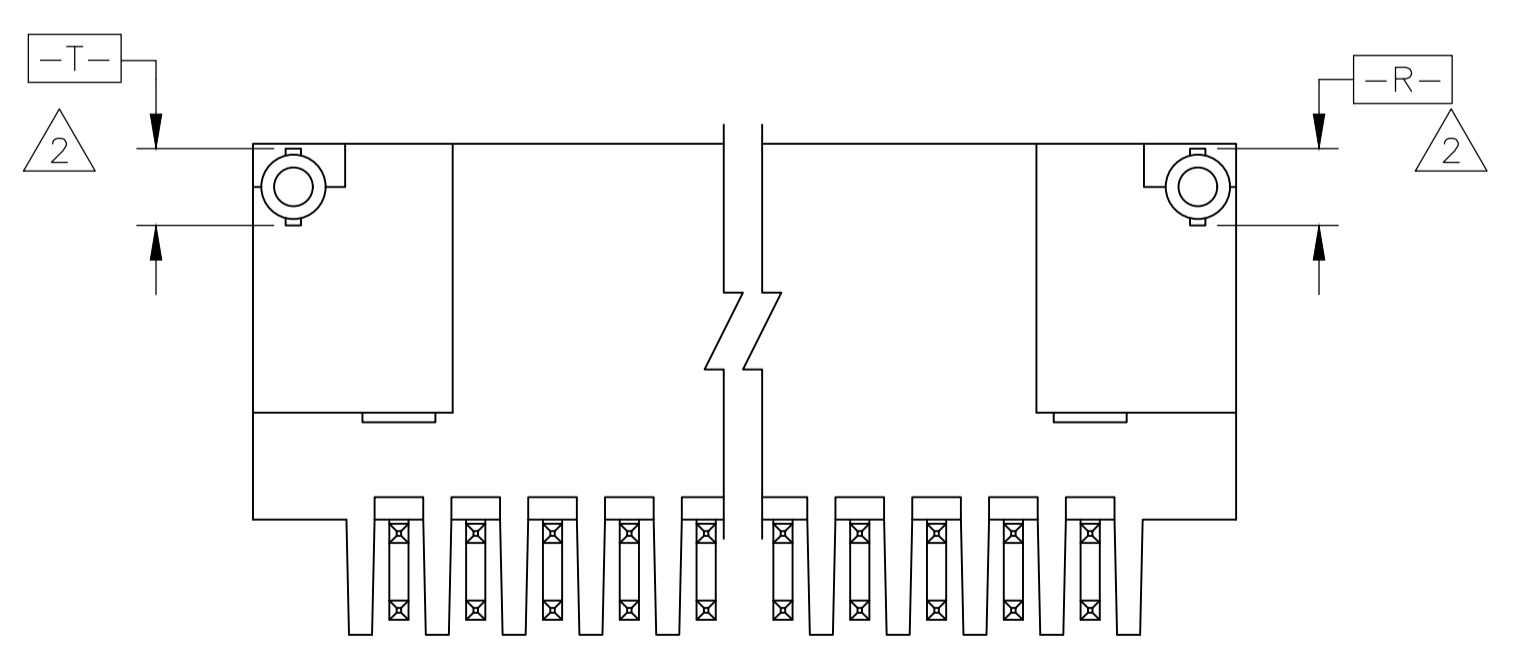


REVISIONS					
P	LTR	DESCRIPTION	DATE	DMN	APVD
H3		PART STATUS UPDATED IN PART LIST TABLE	16FEB2018	SD	PS

- 1 THE NOTED DIMENSIONS APPLY AT THE INTERSECTION OF THE POST AND HOUSING
- 2 THE NOTED DIMENSIONS APPLY AT THE INTERSECTION WITH DATUM  $-P-$
- 3 POINT OF MEASUREMENT FOR PLATING THICKNESS
- 4 POSTS: .000015 GOLD IN CONTACT AREA, .000100-.000200 MATTE TIN-LEAD ON SOLDER TAIL, ALL OVER .000050 NICKEL
- 5 POSTS: .000015 GOLD IN CONTACT AREA, .000100-.000200 MATTE TIN ON SOLDER TAIL, ALL OVER .000050 NICKEL
- 6 OBSOLETE PARTS: OBSOLETE CIS STREAMLINING PER D.RENAUD/D.SINISI



RECOMMENDED HOLE LAYOUT



BASIC DIMENSION FOR ODD NO. OF SPACES (SEE TABLE)  
BASIC DIMENSION FOR EVEN NO. OF SPACES (SEE TABLE)  
DETAIL Z

PLATING	NO OF SPACES	C	B	A	NO OF POSN	ASSEMBLY PART NUMBER
6 OBSOLETE	23	2.600	2.300	23	48	5-104319-9
5	5	.800	.500	5	12	5-104319-8
4	4	.700	.400	4	10	5-104319-7
6 OBSOLETE	16	1.900	1.600	16	34	5-104319-6
6	6	.900	.600	6	14	5-104319-5
6	19	2.200	1.900	19	40	5-104319-4
5	14	1.700	1.400	14	30	5-104319-3
5	9	1.200	.900	9	20	5-104319-2
6 OBSOLETE	7	1.000	.700	7	16	5-104319-1
6 OBSOLETE	23	2.600	2.300	23	48	104319-9
5	5	.800	.500	5	12	104319-8
4	4	.700	.400	4	10	104319-7
6	16	1.900	1.600	16	34	104319-6
6	6	.900	.600	6	14	104319-5
6 OBSOLETE	19	2.200	1.900	19	40	104319-4
4	14	1.700	1.400	14	30	104319-3
4	9	1.200	.900	9	20	104319-2
4	7	1.000	.700	7	16	104319-1

SUPERCEDED BY 5-104319-7

THIS DRAWING IS A CONTROLLED DOCUMENT. DIN H MOLL 19-10-87. CHK R FEJDT 19-10-87. APVD NAME

TE Connectivity

HDR ASSY, MOD II, SHROUDED, 4 SIDES, DR, .100X.100 q, RT ANGLE, W/ .025 SQ POSTS

SIZE: A1 00779 C=104319

CUSTOMER DRAWING SCALE: 4:1 SHEET 1 OF 1 REV: H3